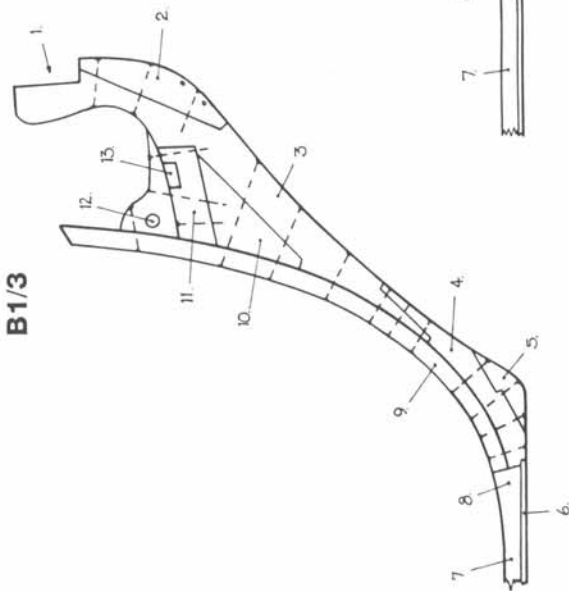
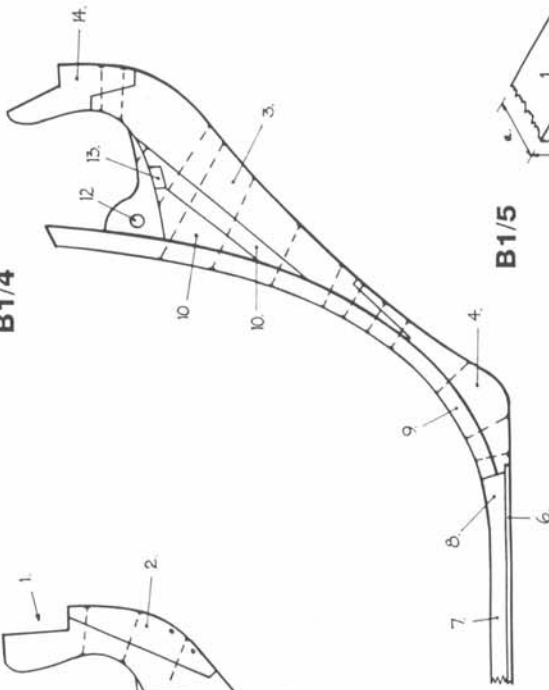


B1/3 Knee of the head c1719, adapted from Sutherland's *Shipbuilding Unveiled* (1/96 scale)



B1/3

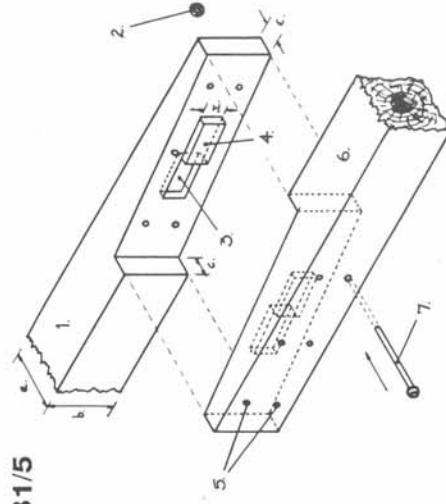
B1/4



B1/4 Knee of the head, c1730, general form (1/96 scale)

1. Position of the figure
2. Bobstay piece
3. Main piece
4. Gripe
5. Forefoot
6. False keel
7. Keel
8. Boxing
9. Stem post
10. Chocks
11. Lacing
12. Hole for the main stay collar
13. Slot for the gammon lashing
14. Figure piece

B1/5



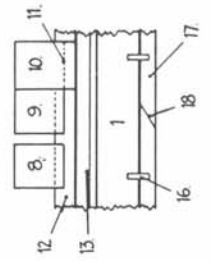
B1/5 Detail of scarph joining keel (no scale)

B1/6 Side elevation (1/64 scale)

B1/7 Section (1/64 scale)

1. Section of the keel
 2. Rove (or washer)
 3. Recess of tabled joint
 4. Elevated portion of tabled joint
 5. Bolt holes
 6. 2nd section of the keel
 7. Bolt
 8. First futtock cross chock of filling frame
 9. First futtock cross chock of main frame
 10. Floor timber of main frame
 11. Score line on the hog
 12. Hog or rising wood
 13. Rabbet
 14. Garboard strake
 15. Bottom planking
 16. Staple to secure the false keel
 17. False keel
 18. False keel scarph
 - a. width
 - b. depth
- $c = a/3$
 $x = b/3$

B1/6



B1/7

